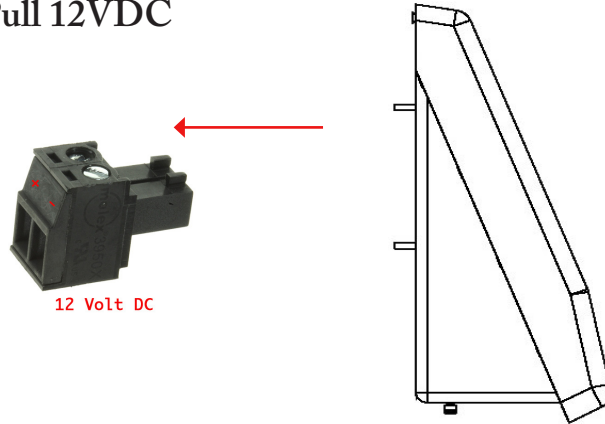


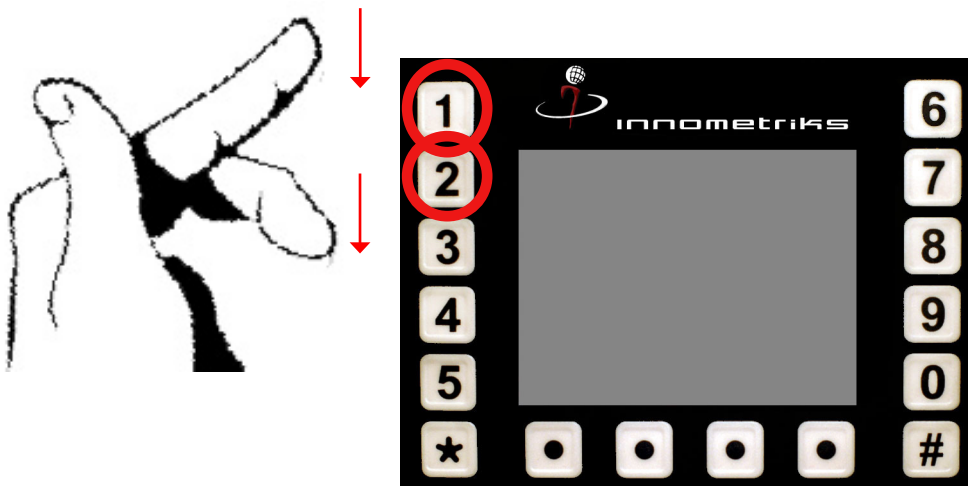
Technical Brief

Rhino Boot Erase

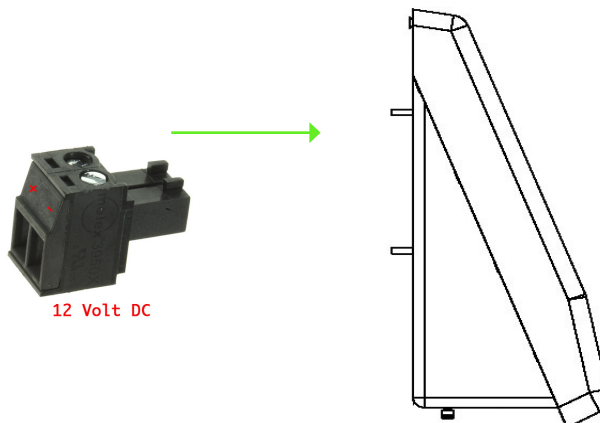
1) Pull 12VDC



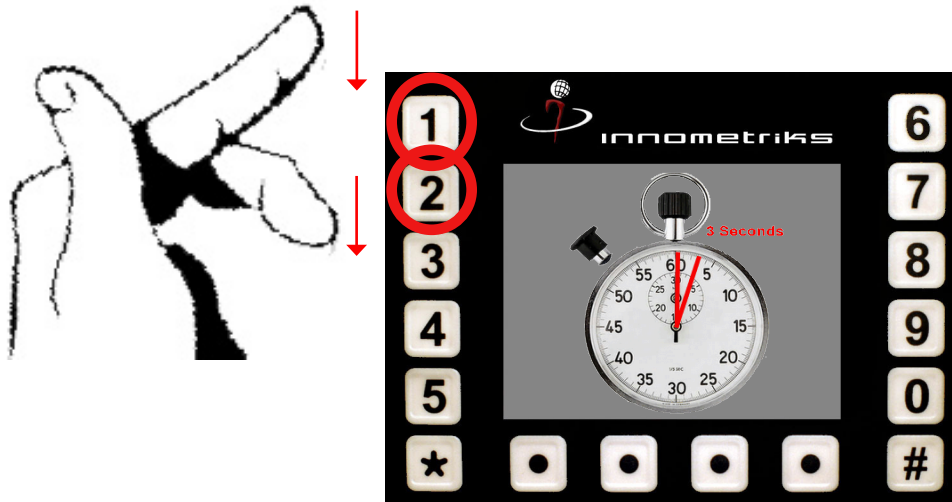
2) Press 1 & 2 at same time and hold



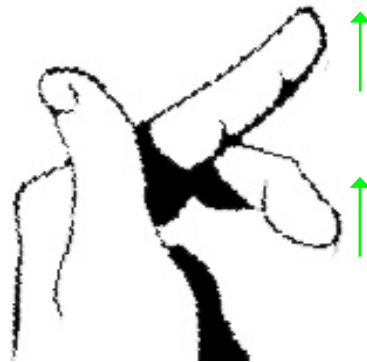
3) Apply 12VDC Power while pressing 1 & 2



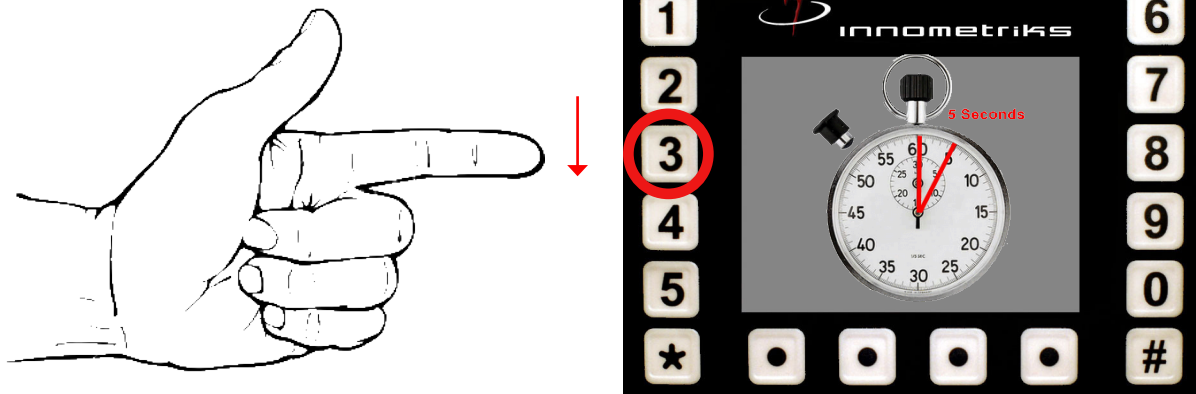
4) Continue pressing 1 & 2 for 3 seconds



5) Release 1 & 2



6) Press 3 and hold for 5 seconds



7) Use SAMBA to load new image